

**we-ef**

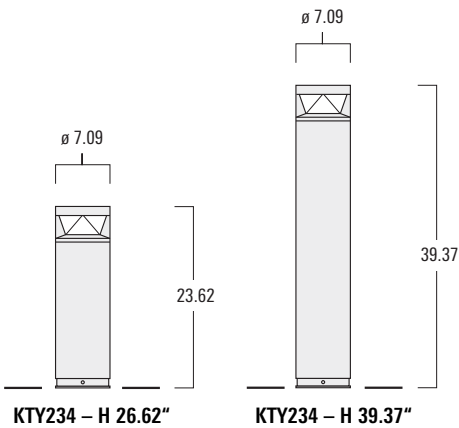
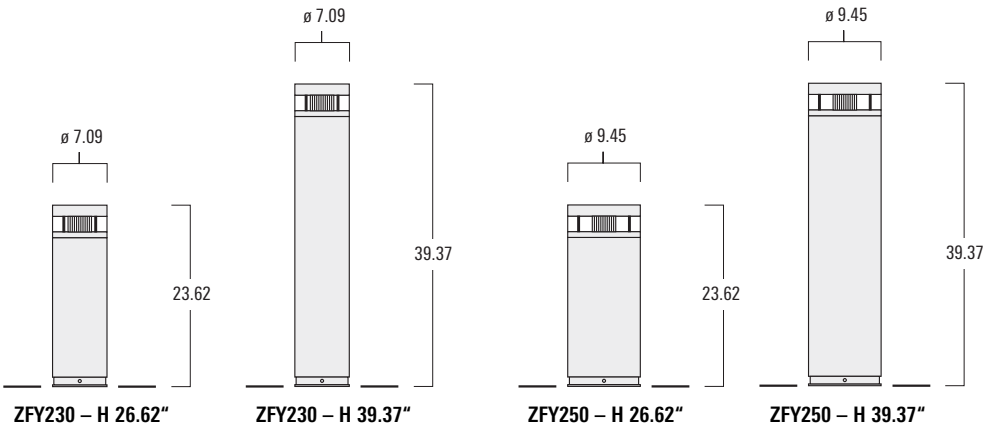
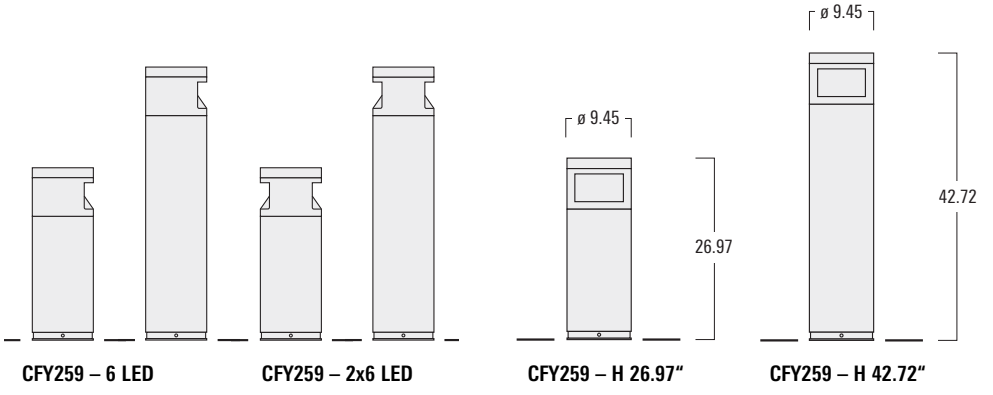


**WE-EF LEUCHTEN**

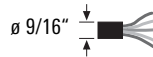
Installation and  
Maintenance Instructions for  
Bollards  
**CFY200 Series**  
**KTY200 Series**  
**ZFY200 Series**

**Bollards**

IP66, IK10, Class I, II, ta = 25°C



for Luminaires with ø 7.09"



for Luminaires with ø 9.45"



## Light source

### CFY259

6 LED 12W – 700 mA\* / 18W – 1050 mA\*

2x6 LED 24W – 700 mA\* / 36W – 1050 mA\*

### ZFY230 / ZFY250

LED-FT 12W – 350 mA\*

LED-FT 17W – 500 mA\*

LED-FT 24W – 700 mA\*

### KTY234

3 LED 9W – 1050 mA\*

3 LED 13W – 1400 mA\*

6 LED 18W – 1050 mA\*

6 LED 36W – 1400 mA\*

\* Nominal power, for latest data refer to [www.we-ef.com](http://www.we-ef.com)

## Maintenance

Apart from cleaning the product's exterior surfaces, no special maintenance work is required. Do not use high-pressure cleaners.

In case of component failure due to abnormal circumstances or at end of life, replacement must be carried out by a suitable and trained professional.

Protect our environment: Discard used LEDs in compliance with the most recent environmental legislation.

## Warning

Do not open luminaire while mains electrical supply is switched on. ⚡

## Mounting Accessories

**Planted root** – Galvanised steel.

ESV4	for KTY234 / ZFY230	665-9302	7.05 lb
------	---------------------	----------	---------

ESV4	for CFY259 / ZFY250	697-8010	9.48 lb
------	---------------------	----------	---------

## Optical Accessories\*\*

IL-180	Cut-off shield for KTY234	638-8201
--------	---------------------------	----------

IL-180	Cut-off shield ZFY230 / ZFY250	638-8200
--------	--------------------------------	----------

\*\* please specify when ordering

## Tools required

- Screwdriver TX25
- Screwdriver TX40
- Screwdriver Philips size 2
- Screwdriver with blade 3x1
- Spanner size 13

fig. 1

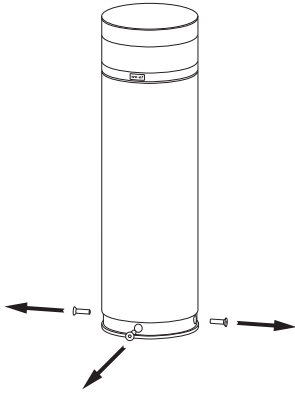


fig. 2

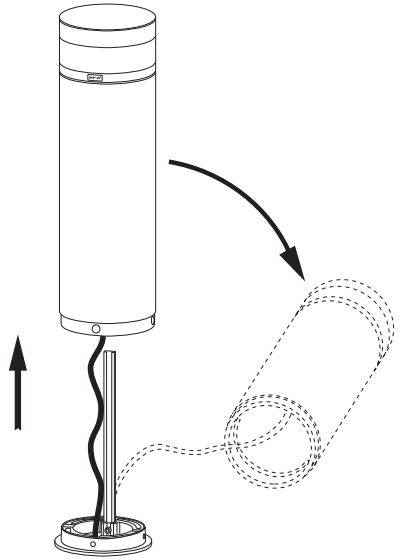


fig. 3

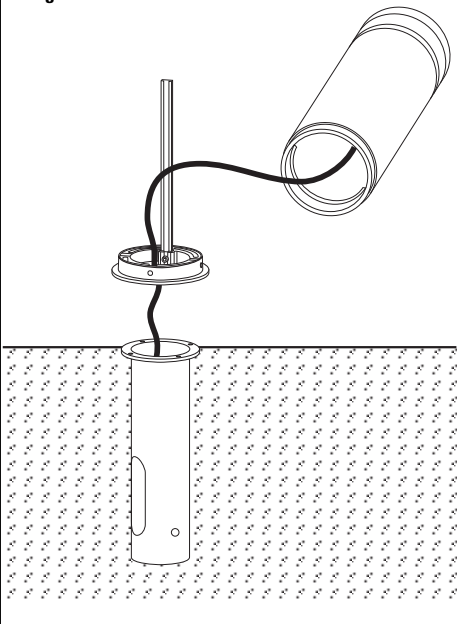


fig. 4

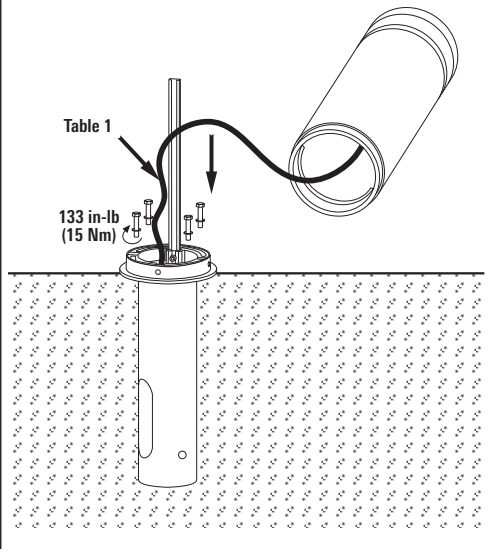


fig. 5

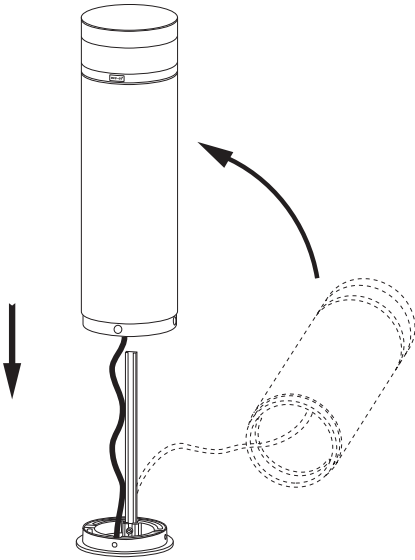


fig. 6

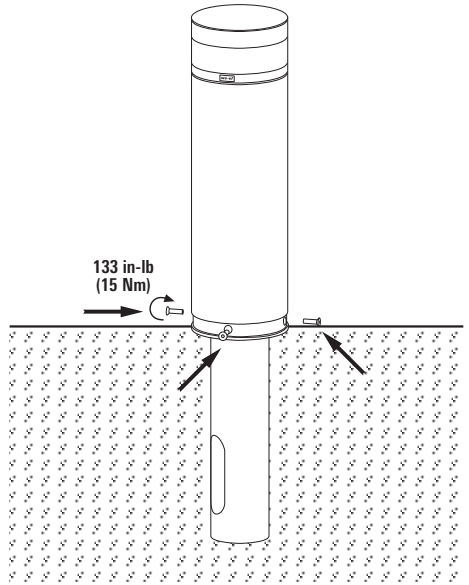


Table 1

**Connecting EK**

	ON/OFF	0-10V
L	X	X
N	X	X
*	X	X
D +	-	X
D -	-	X
L 2	-	-

\* not available in class II

Table 2

**Torque**

Screw	Torque
M4	max. 17.7 in-lb (2 Nm)
M5	max. 35.4 in-lb (4 Nm)
M6	max. 53.1 in-lb (6 Nm)
M8	max. 133 in-lb (15 Nm)
M16	max. 885 in-lb (100 Nm)

**Product Information / Surge Protection**

This luminaire can be fitted with a surge protection device of type 2-3. The technical data are provided directly on the installed device. If the power supply is switched on, a green LED indicates that it is operational. If the surge protector has been triggered by an adverse event, the luminaire is automatically disconnected from the mains. In that case, the LED on the surge protector no longer lights up.

For comprehensive protection of the luminaire against lightning and electrical surges, primary (Type 1) and secondary (Type 2) surge arrestors must be installed into the power supply.

The technical planner/installer is responsible for the proper selection, sizing and installation of the surge protection modules that must be provided on site. Please note the various protection levels for Class I and II, as well as the applicable statutory provisions regarding surge protection. Installation and maintenance may only be performed by a qualified electrician.

The logo for WE-EF, featuring the lowercase text "we-ef" in a white, bold, sans-serif font, centered within a solid black rectangular background.

[www.we-ef.com](http://www.we-ef.com)

**WE-EF LEUCHTEN**

Germany

Tel +49 5194 909 0

Fax +49 5194 909 299

[info.germany@we-ef.com](mailto:info.germany@we-ef.com)

**WE-EF LIGHTING**

Thailand

Tel +66 2 738 9610

Fax +66 2 175 2174

[info.asiapacific@we-ef.com](mailto:info.asiapacific@we-ef.com)

**WE-EF LUMIERE**

France

Tel +33 4 74 99 14 44

Fax +33 4 74 99 14 40

[info.france@we-ef.com](mailto:info.france@we-ef.com)

**WE-EF LIGHTING**

Australia

Tel +61 3 8587 0444

Fax +61 3 8587 0499

[info.australia@we-ef.com](mailto:info.australia@we-ef.com)

**WE-EF HELVETICA**

Switzerland

Tel +41 22 752 49 94

Fax +41 22 752 49 74

[info.switzerland@we-ef.com](mailto:info.switzerland@we-ef.com)

**WE-EF LIGHTING**

United States of America

Tel +1 724 742 0030

Fax +1 724 742 0035

[info.usa@we-ef.com](mailto:info.usa@we-ef.com)

**WE-EF LIGHTING**

United Kingdom

[info.uk@we-ef.com](mailto:info.uk@we-ef.com)

CFY\_KTY\_ZFY200\_011119\_US

Technical specifications are subject to change.

© WE-EF 2019

**Safety indices**

The manufacturer is then discharged from liability when damage is caused by improper use or installation.

If any luminaire and/or accessory is subsequently modified, the persons responsible for the modification shall be considered as manufacturer.